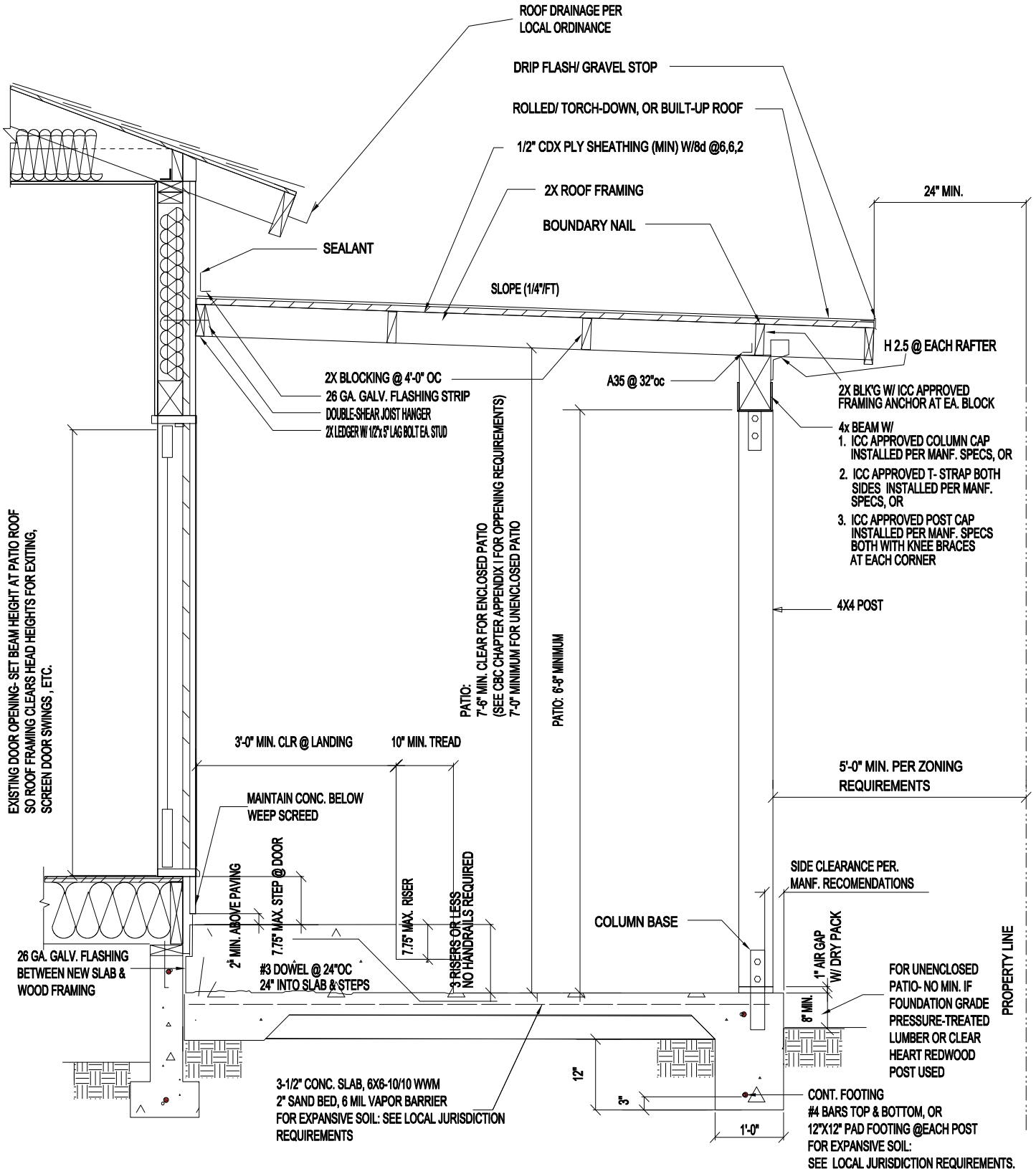
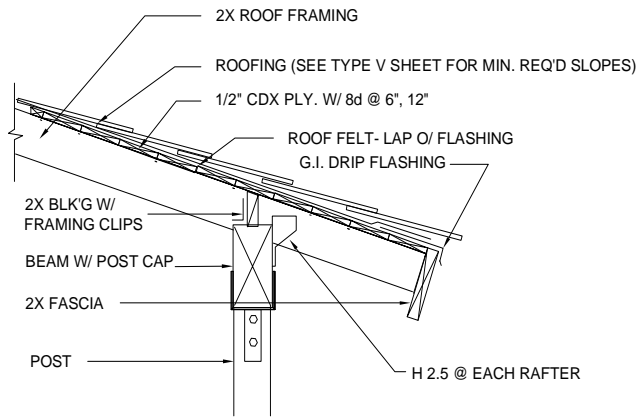


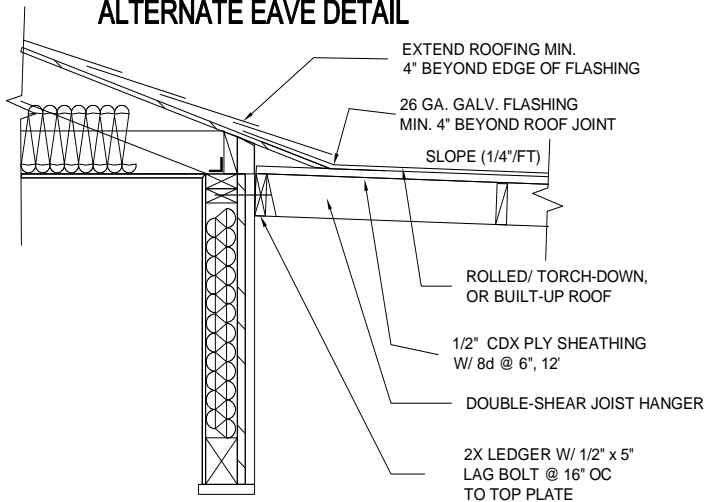
# 2014 LOS ANGELES COUNTY RESIDENTIAL CODE PATIO COVER

WOOD FRAME PROVISIONS ONE STORY CONSTRUCTION

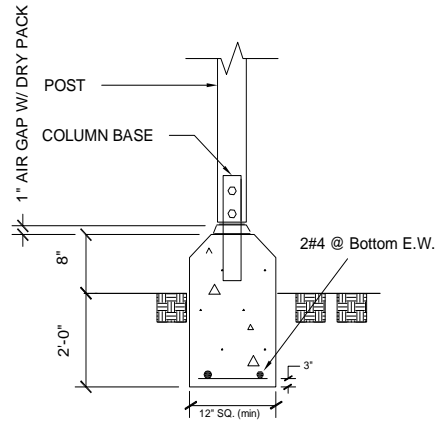




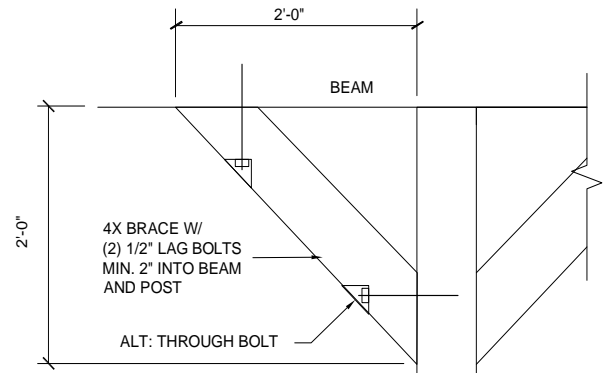
**ALTERNATE EAVE DETAIL**



**ALTERNATE CONNECTION DETAIL**



**ALTERNATE FOOTING DETAIL**



**KNEE BRACE DETAIL**

ALLOWABLE SPANS FOR DF #2 HEADERS				ALLOWABLE SPANS FOR DF #2 CEILING JOISTS		
SIZE	20' Width	28' Width		Dead Load 5 psf/ Live Load 10 psf		
RAFTER SIZE	SPACING	ALLOWABLE SPAN		JOIST SIZE	SPACING	ALLOWABLE SPAN
2-2X6		5'-5"	4'-8"	2X4	24"	9'-10"
					16"	11'-13"
					12"	12'-5"
2-2X8		6'-10"	5'-11"	2X6	24"	14'-10"
2-2X10		8'-5"	7'-3"		16"	17'-8"
					12"	19'-6"
2-2X12		9'-9"	8'-5"	2X8	24"	18'-9"
3-2X12		12'-2"	10'-7"		16"	23'-0"
					12"	25'-8"
2X6	24"	11'-9"	10'-2"	2X10	24"	22'-11"
	16"	14'-1"	12'-5"		16"	26'-0"
	12"	15'-6"	14'-4"		12"	26'-0"
2X8	24"	14'-10"	12'-10"	2X12	24"	21'-0"
	16"	18'-2"	15'-9"		16"	25'-9"
	12"	20'-5"	18'-2"		12"	26'-0"
2X10	24"	18'-2"	15'-8"			
	16"	22'-3"	19'-3"			
	12"	25'-8"	22'-3"			
2X12	24"	21'-0"	18'-3"			
	16"	25'-9"	22'-4"			
	12"	26'-0"	25'-9"			

TYPE V CONSTRUCTION IS A CLASSIFICATION OF BUILDINGS BY CONSTRUCTION MATERIALS AND METHODS. IT IS THE LEAST RESTRICTIVE PERMITTED BY THE LA COUNTY BUILDING CODE AND INCLUDES LIGHT WOOD-FRAME CONSTRUCTION. THIS SHEET IS FOR INFORMATION AND REFERENCE ONLY AND IS NOT A SUBSTITUTE FOR ACCURATE DRAWINGS PREPARED FOR PROPOSED CONSTRUCTION PROJECT.